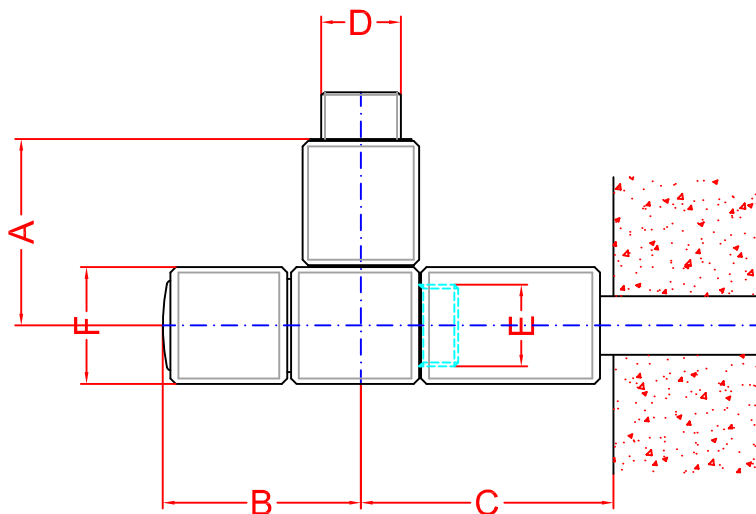


CUBIX

Designové ventily | Designer valves | Designventile

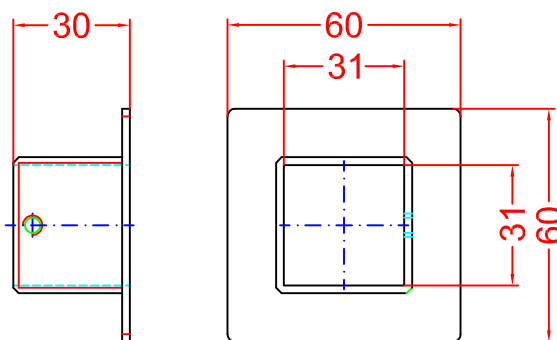
Rohový ventil | Angeled valve | Eckventil



A	B	C	D	E	F
48	51	65	3/8"	1/2"	30
48	51	65	1/2"	1/2"	30

"

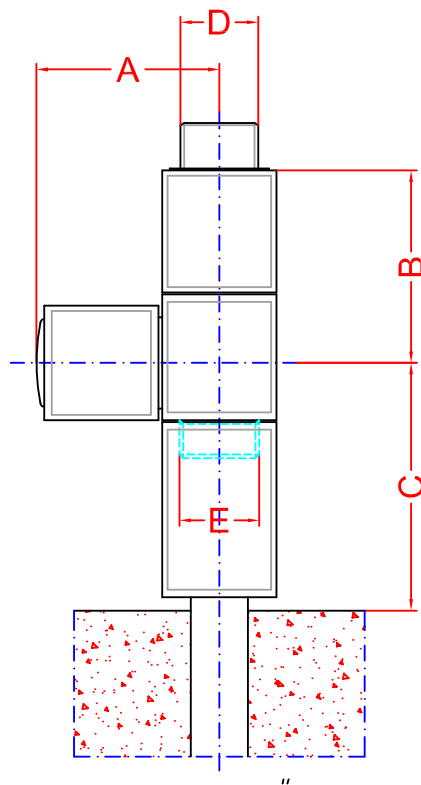
Krycí rozeta | Pipe cover | Abdeckrosette



CUBIX

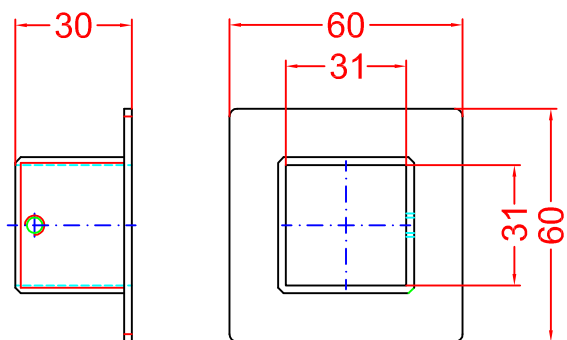
Designové ventily | Designer valves | Designventile

P ímý ventil | Straight valve | Durchgangsventil



A	B	C	D	E
48	51	65	3/8"	1/2"
48	51	65	1/2	1/2"

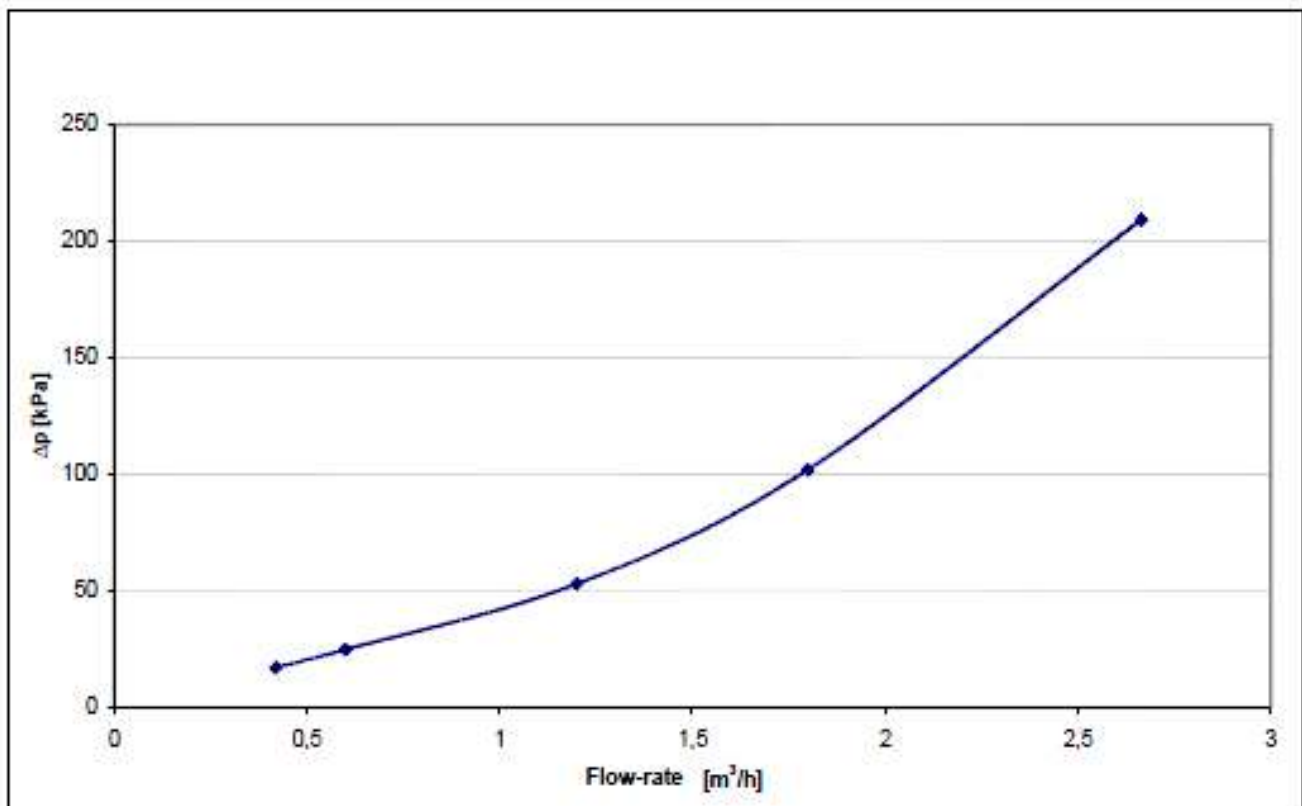
Krycí rozeta | Pipe cover | Abdeckrosette



CUBIX

Designové ventily | Designer valves | Designventile

Q [l / min]	Q [m ³ /h]	p1 [bar]	p2 [bar]	Δp [bar]	Δp [kPa]	$K_v = \frac{q}{\Delta p}$
7	0,42	0,17	0,000	0,170	17,0	1,02
10	0,60	0,25	0,002	0,248	24,8	1,20
20	1,20	0,54	0,010	0,530	53,0	1,65
30	1,80	1,04	0,020	1,020	102,0	1,78
44,4	2,66	2,13	0,038	2,092	209,2	1,84



CUBIX

Designové ventily | Designer valves | Designventile

